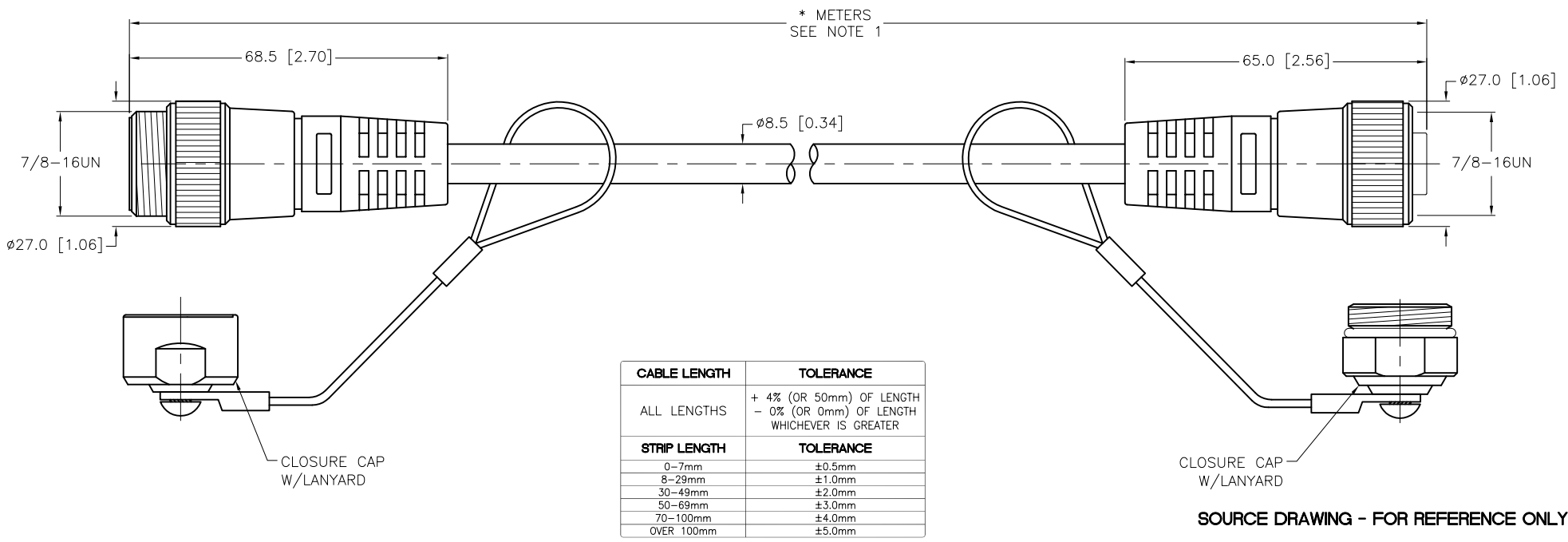


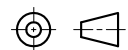
SPECIFICATIONS	
CONTACT CARRIER MATERIAL	TPU
MOLDED HEAD MATERIAL/COLOR	TPU/BLACK
CONTACT MATERIAL/PLATING	BRASS/GOLD
COUPLING NUT MATERIAL/FINISH	STAINLESS STEEL/PASSIVATED
RATED CURRENT [A]	4.0 A
RATED VOLTAGE [V]	300 V
OUTER CABLE JACKET MATERIAL/COLOR	TPU/PLUM
CONDUCTOR INSULATION MATERIAL	PE
NUMBER OF CONDUCTORS [AWG]	2x22 AWG
DRAIN/SHIELD	22 AWG DRAIN/ALUM.-MYLAR FOIL & T-C BRAID
TEMPERATURE RANGE	-40°C to +80°C (-40°F to +176°F)
PROTECTION CLASS	MEETS NEMA 1,3,4,6P AND IEC IP67



CABLE LENGTH	TOLERANCE
ALL LENGTHS	+ 4% (OR 50mm) OF LENGTH - 0% (OR 0mm) OF LENGTH WHICHEVER IS GREATER
STRIP LENGTH	TOLERANCE
0-7mm	±0.5mm
8-29mm	±1.0mm
30-49mm	±2.0mm
50-69mm	±3.0mm
70-100mm	±4.0mm
OVER 100mm	±5.0mm

NOTES:

- "*" INDICATES CABLE LENGTH IN METERS. CONTACT TURCK TO ORDER SPECIFIC LENGTHS.
- "/S1599" DESIGNATES ATTACHED MATING CLOSURE CAP TO CORDSET END.

<p>RELATED DOCUMENTS</p> <ol style="list-style-type: none"> 1. 2. 3. 4. 	<p>3RD ANGLE PROJECTION</p> 	<p>THIS DRAWING IS CONFIDENTIAL AND THE PROPERTY OF TURCK INC. USE OF THIS DOCUMENT WITHOUT WRITTEN PERMISSION IS PROHIBITED.</p>	<p>TURCK INC High Technology Sensors and Automation Controls</p> <p>3000 CAMPUS DRIVE MINNEAPOLIS, MN 55441 1-800-544-7769 (763) 553-7300 (763) 553-0708 fax turck.com</p>	<p>DRFT RDS DATE 02/22/12</p> <p>APVD C.K. SCALE 1=1.3</p> <p>UNIT OF MEASUREMENT MILLIMETER [INCH]</p> <p>DO NOT SCALE THIS DRAWING</p>	<p>DESCRIPTION RSV RKV 458-*M/S1599</p> <p>IDENTIFICATION NO.</p> <p>REV A</p>
<p>MATERIAL</p> <p>SEE SPECIFICATIONS</p>	<p>ALL DIMENSIONS DISPLAYED ON THIS DRAWING ARE FOR REFERENCE ONLY</p>	<p>CONTACT TURCK FOR MORE INFORMATION</p>	<p>FILE: 777028684</p>	<p>SHEET 1 OF 1</p>	

A	DRAWING RELEASE	RDS	03/12/12	
REV	DESCRIPTION	BY	DATE	ECO NO.